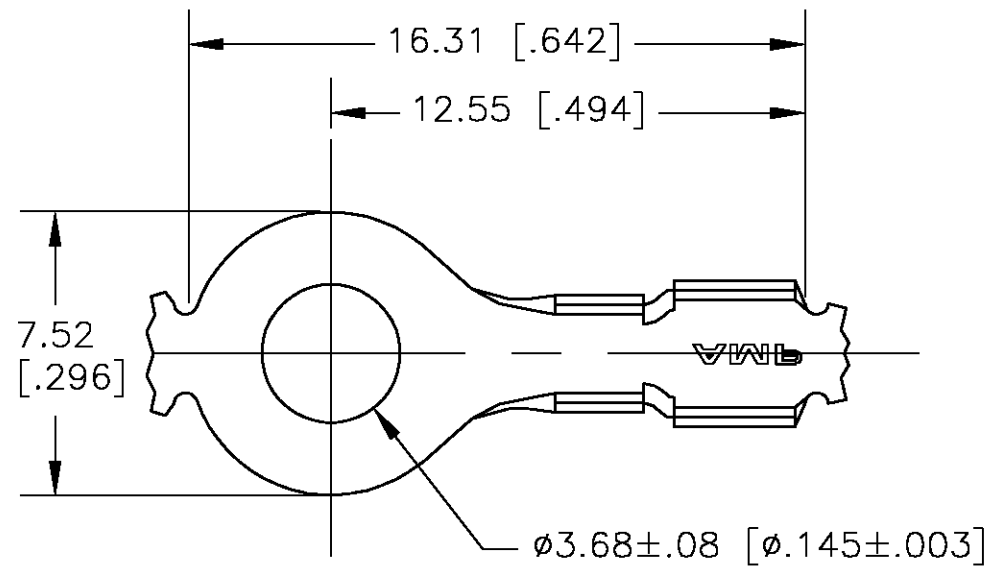
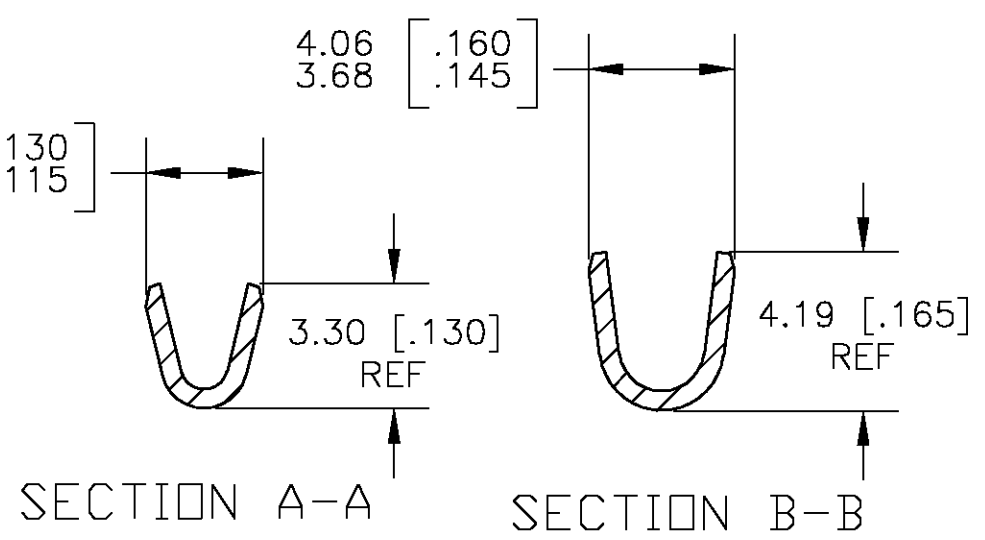
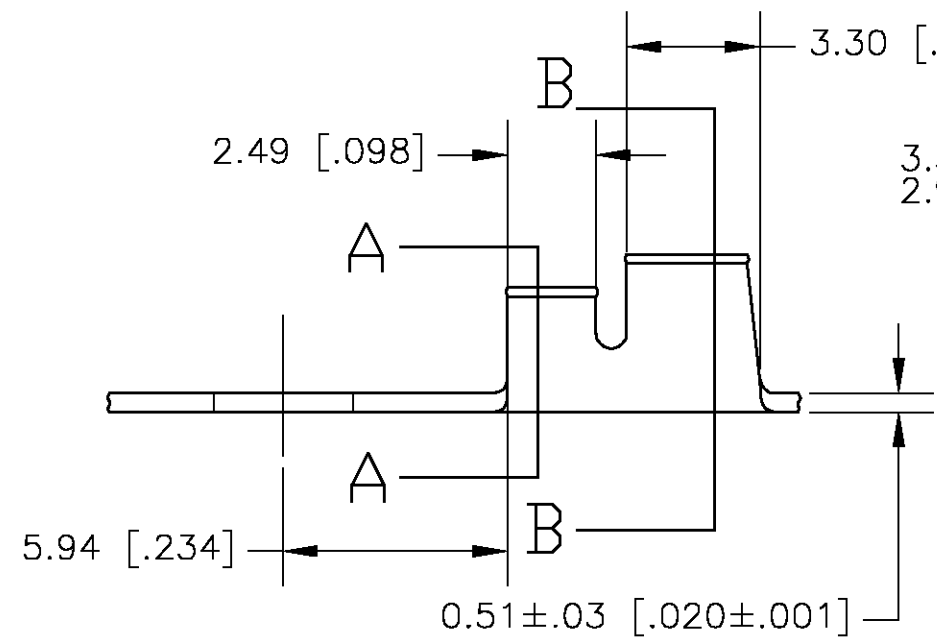


THIS DRAWING IS UNPUBLISHED. RELEASED FOR PUBLICATION
 © COPYRIGHT BY TYCO ELECTRONICS CORPORATION. ALL RIGHTS RESERVED.

LOC	DIST	REVISIONS			
P	LTR	DESCRIPTION	DATE	DWN	APVD
AF	50	N	REV PER 0G3A-0373-04	17MAY04	JR DD



- 1 CONTINUOUS STRIP ON REELS.
- 2 0.002032 [.000080] MIN TIN PLATE.
- 3 WIRE SIZE [22-18] AWG.
- 4 INSULATION RANGE 1.52-2.79 [.060-.110] DIA.
- 5 PRELIMINARY - NOT FOR PRODUCTION



2	1/2 HARD STAINLESS STEEL	5	40697-2
	082 BRASS		40697
FINISH		MATERIAL	
		PART NUMBER	

THIS DRAWING IS A CONTROLLED DOCUMENT.		DWN JR RUTH 17NOV00	Tyco Electronics Corporation Harrisburg, Pa 17105-3608	
DIMENSIONS: INCHES		CHK MS FEHER 17NOV00		
TOLERANCES UNLESS OTHERWISE SPECIFIED:		APVD D DECKER 17NOV00	NAME RING TONGUE	
0 PLC ± - 1 PLC ± - 2 PLC ± 0.38 [.015] 3 PLC ± - 4 PLC ± - ANGLES ± -		PRODUCT SPEC -	SIZE A3	
MATERIAL SEE TABLE		APPLICATION SPEC -	CAGE CODE 00779	DRAWING NO C-40697
FINISH SEE TABLE		WEIGHT -	RESTRICTED TO -	
CUSTOMER DRAWING			SCALE 5:1	SHEET 1 OF 1
			REV N	